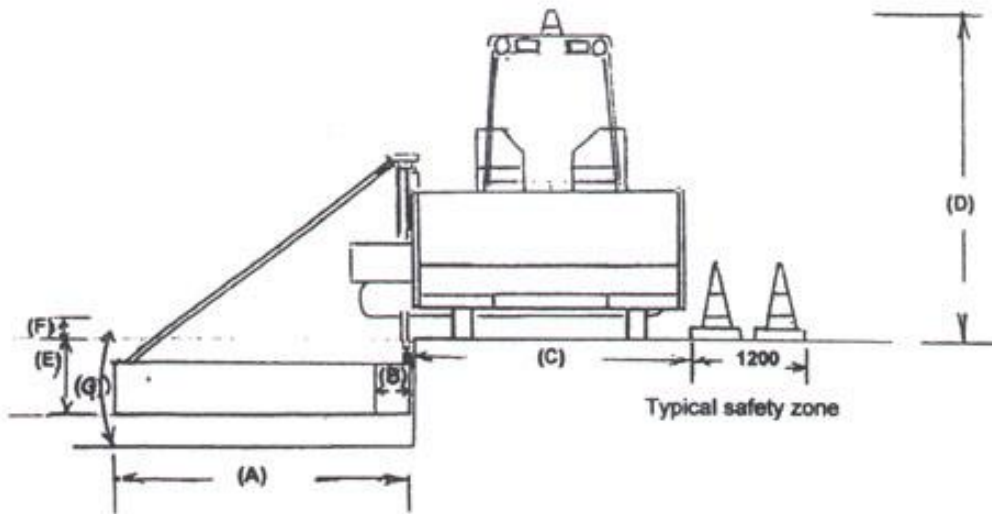
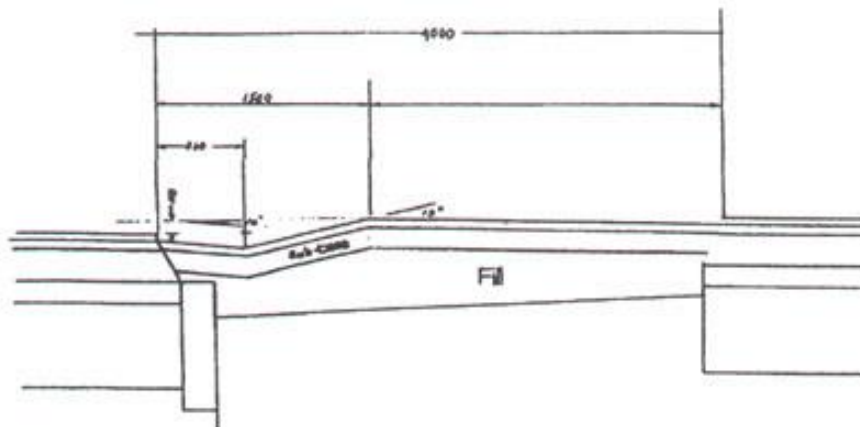


MACHINE SPECIFICATIONS AND WORKING PARAMETERS



A) Maximum screed width	3.000	E) Maximum below ground level	0.750
B) Minimum screed width	0.200	F) Maximum above ground level	0.200
C) Minimum working room	2.900	G) Camber angle plus or minus	35deg.
D) Minimum working headroom	3.200		



TYPICAL "V" & CROWN FORMATION